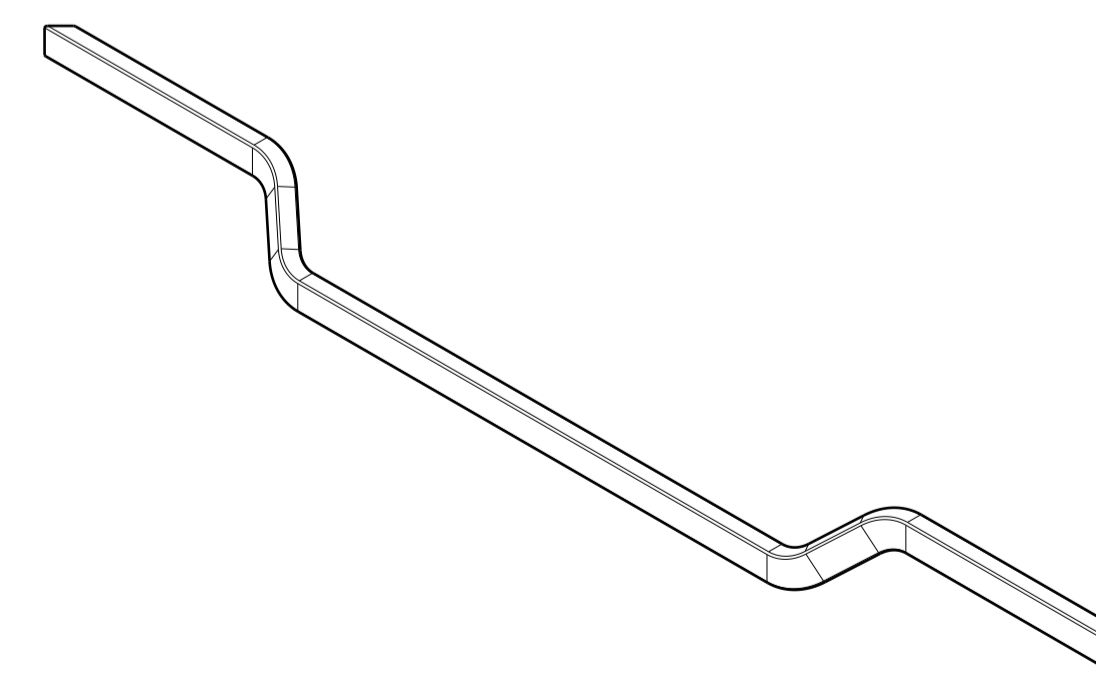
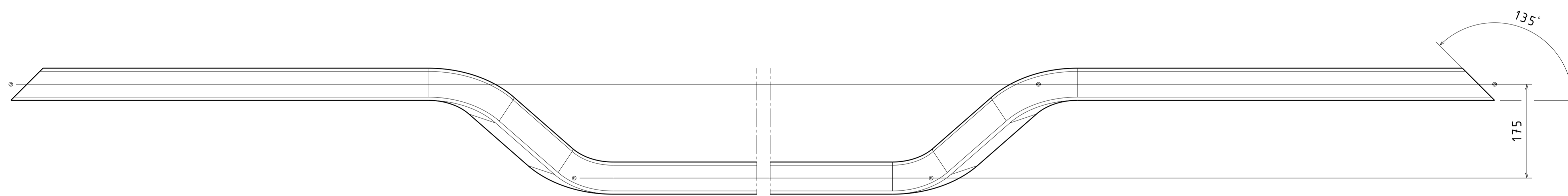
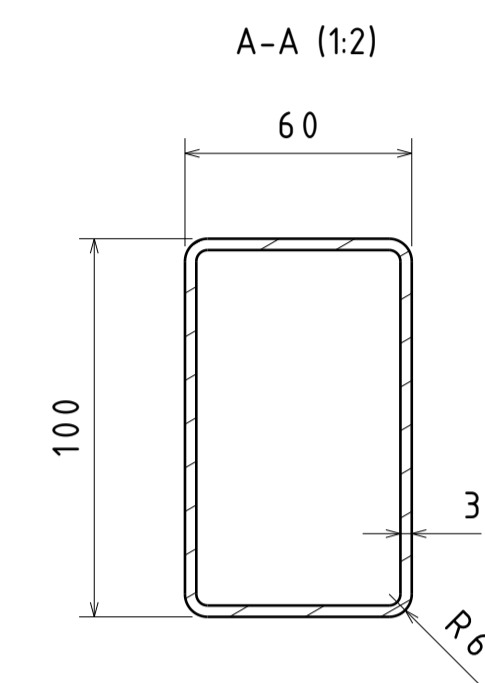
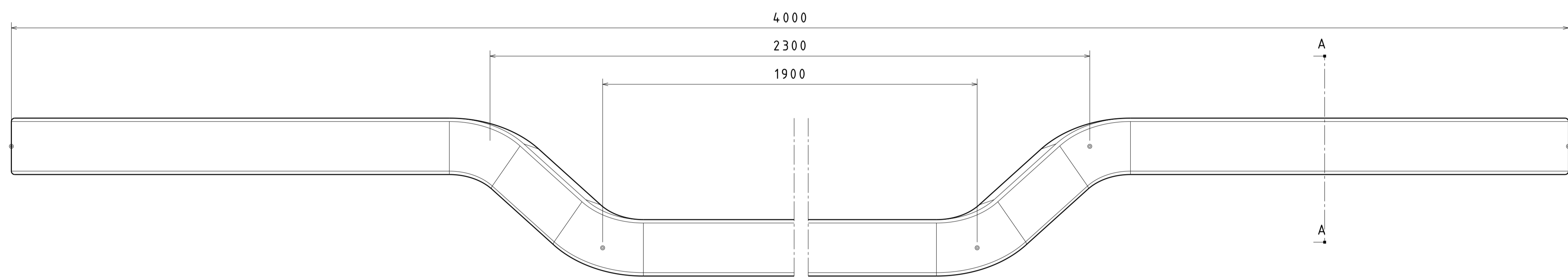
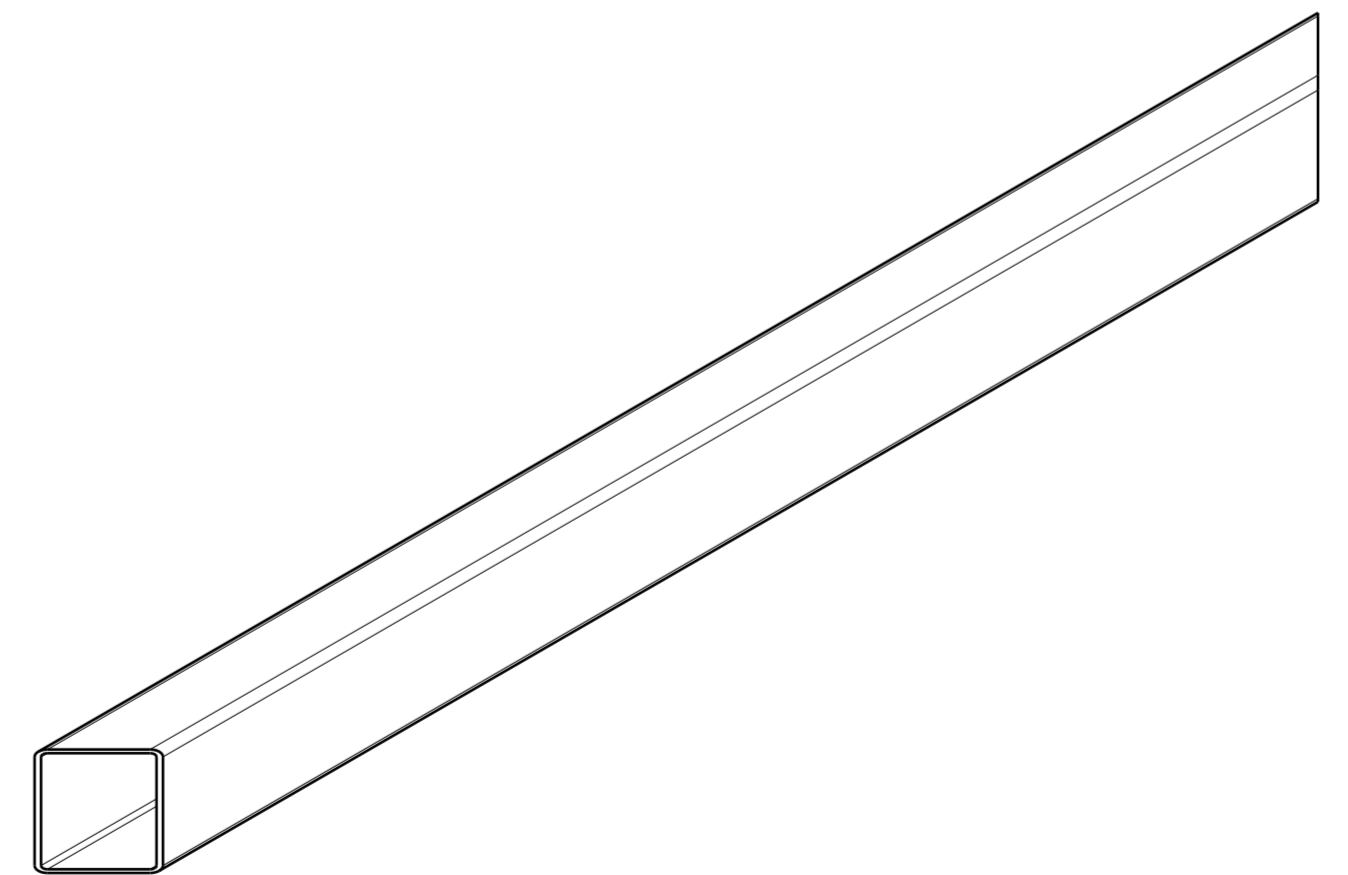
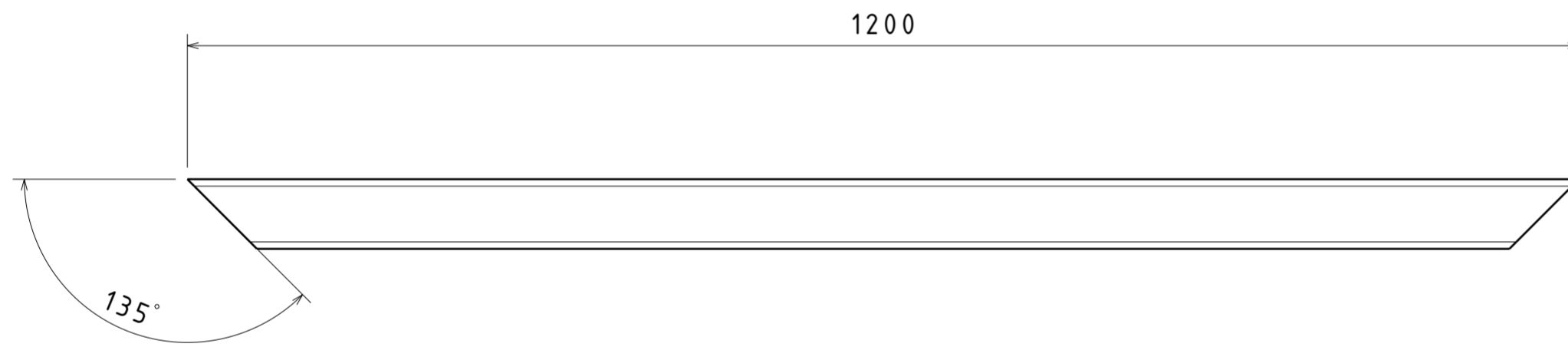
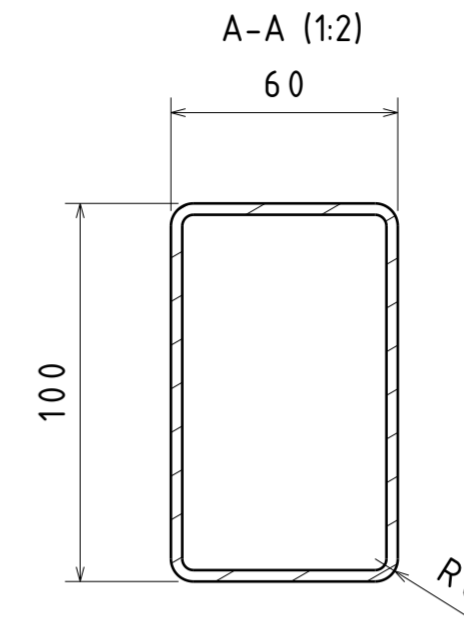
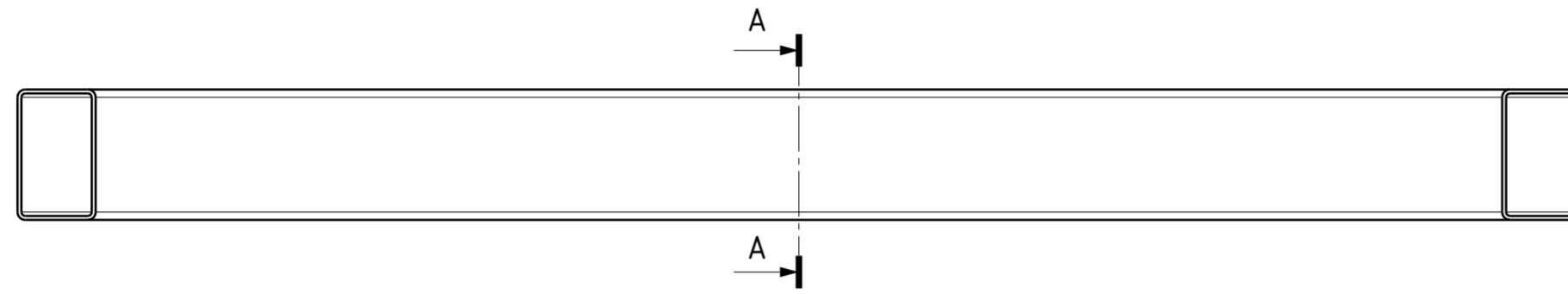


DESIGNED BY: Safeboard		Plataforma Skateboard	
DATE: 02/11/2021			
SIZE: A2		CENTRO UNIVERSITARIO FEI	
SCALE: 1:10		WEIGHT (KG): -	MATERIAL: -
<small>This drawing is our property. It can't be reproduced or communicated without our written agreement.</small>			

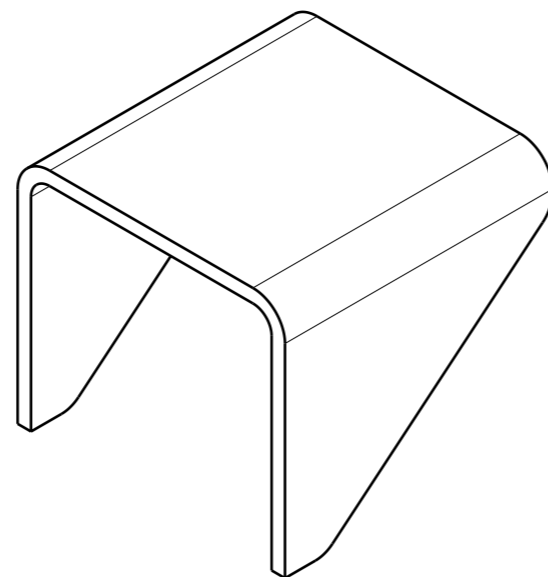
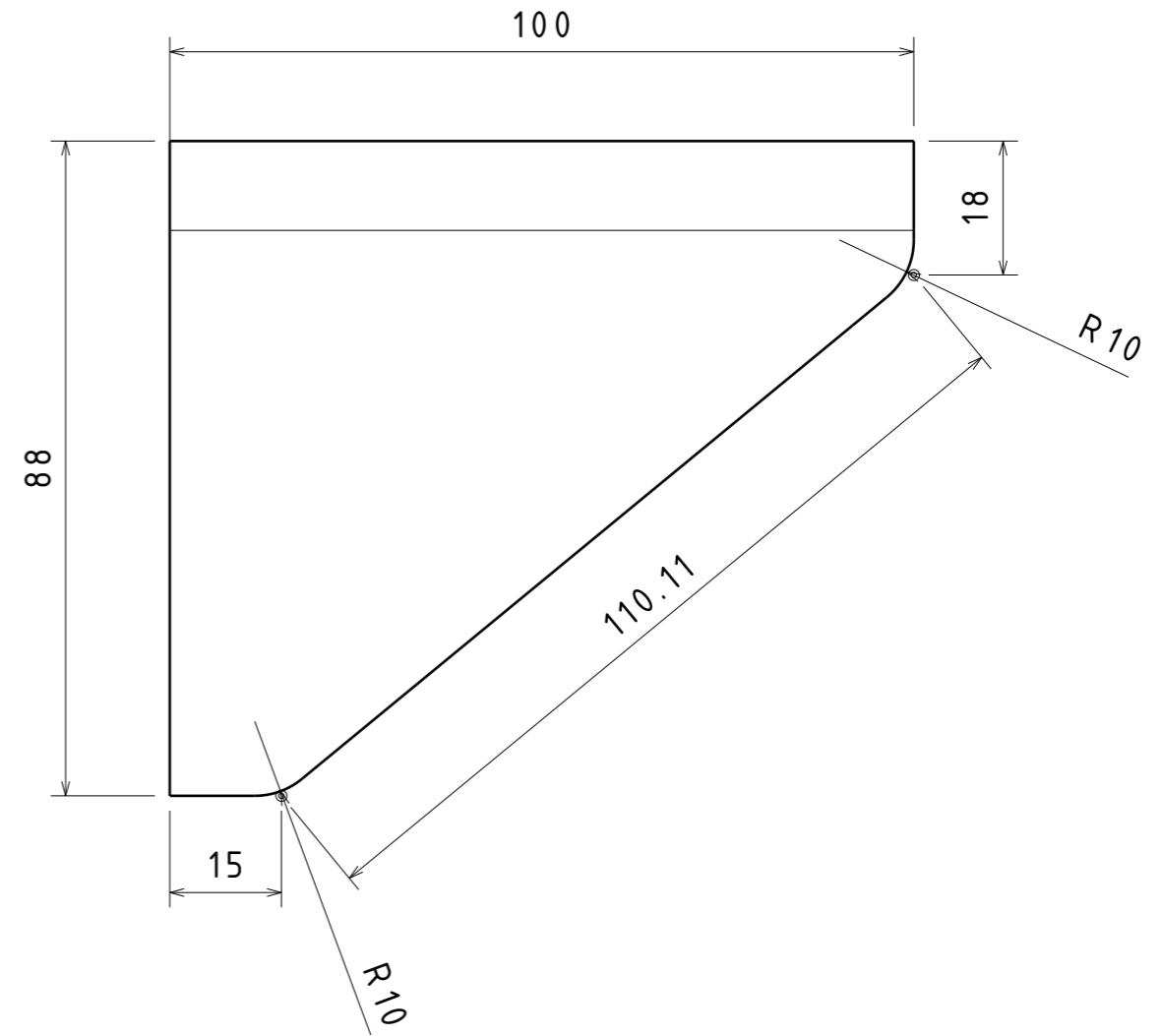
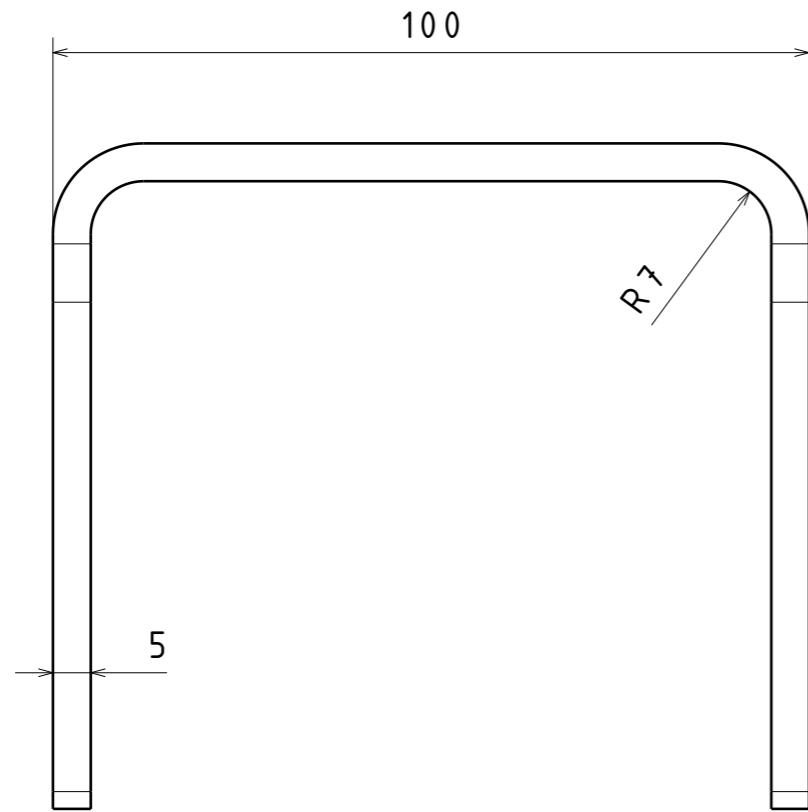


DESIGNED BY: Safeboard		Barras Laterais	
DATE: 02/11/2021			
SIZE: A1		CENTRO UNIVERSITARIO FEI	
SCALE: 1:5	WEIGHT (KG): 28.9	MATERIAL: ACO	SHEET: 2 / 15
<small>This drawing is our property. It can't be reproduced or communicated without our written agreement.</small>			

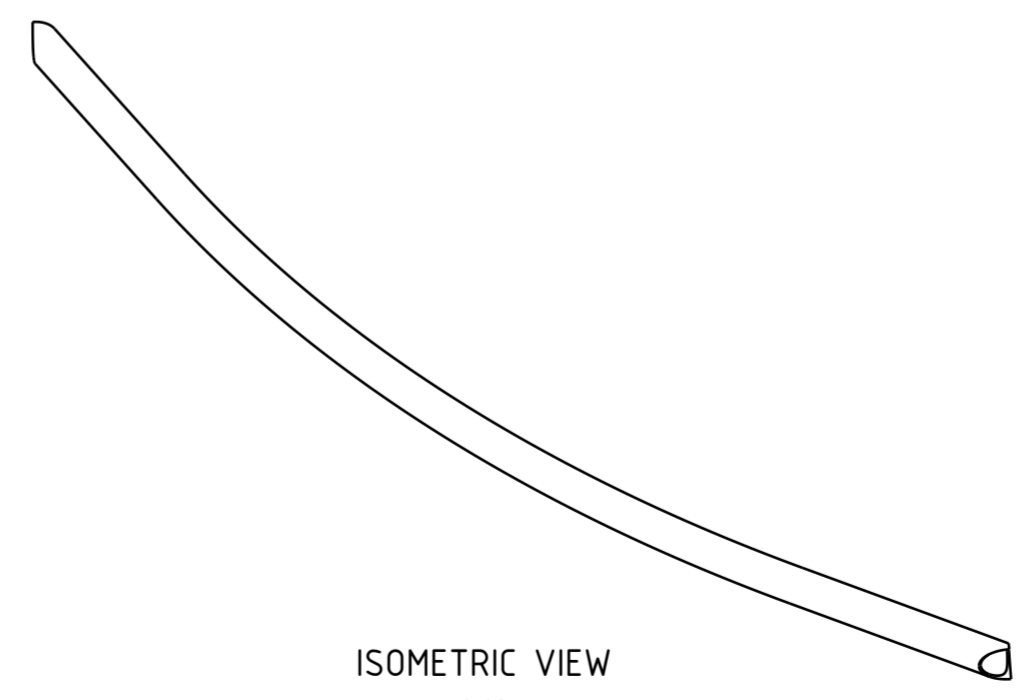
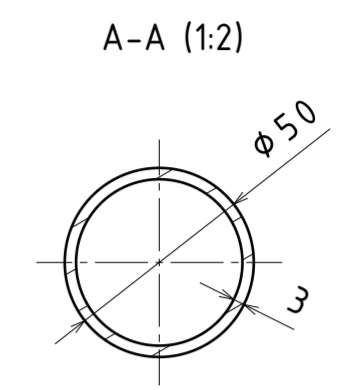
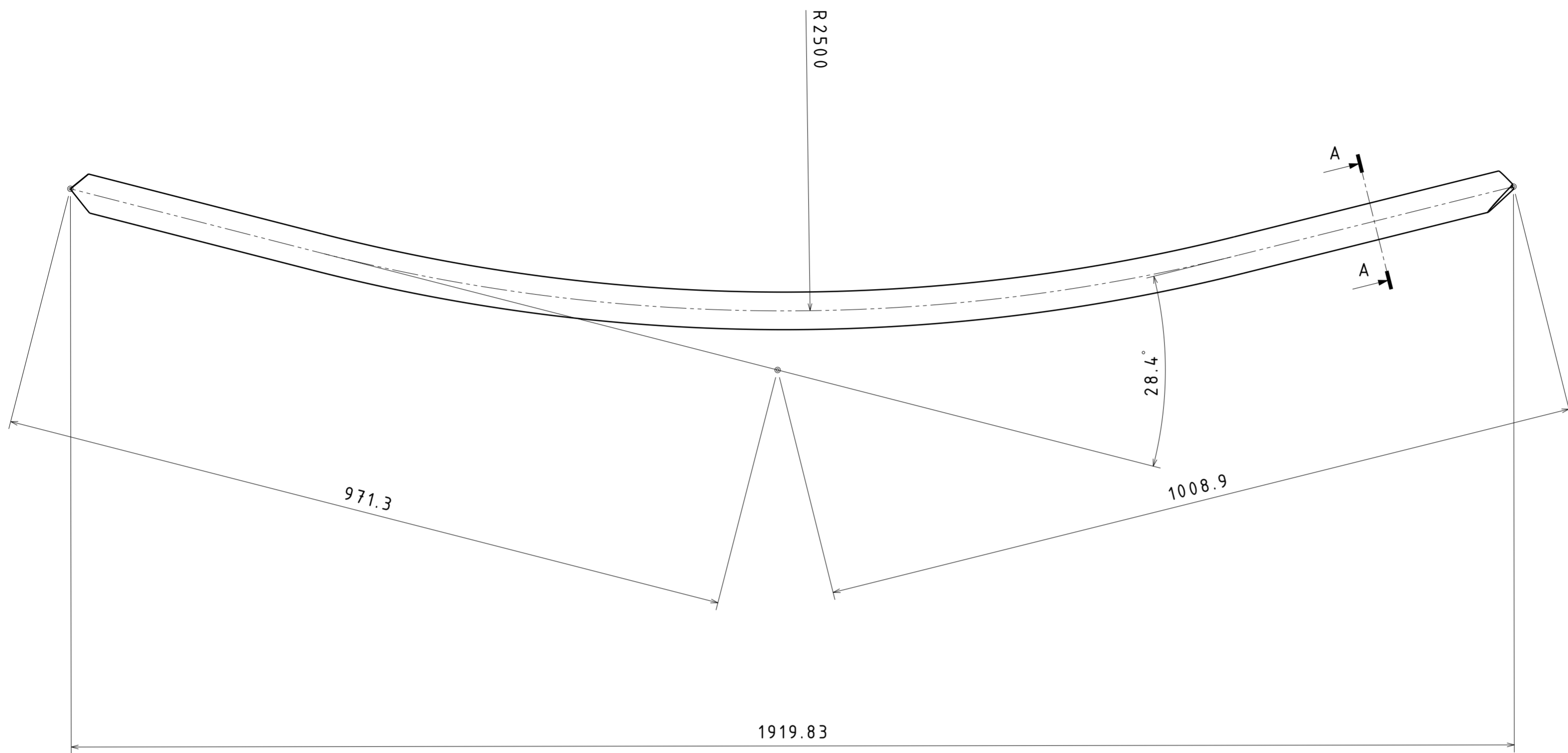




DESIGNED BY: SafeBoard		Travessa Externa	
DATE: 02/11/2021			
SIZE: A2		CENTRO UNIVERSITARIO FEI	
SCALE: 1:5			
WEIGHT (KG): 8.0	MATERIAL: AÇO	SHEET: 3 / 15	
<small>This drawing is our property. It can't be reproduced or communicated without our written agreement.</small>			

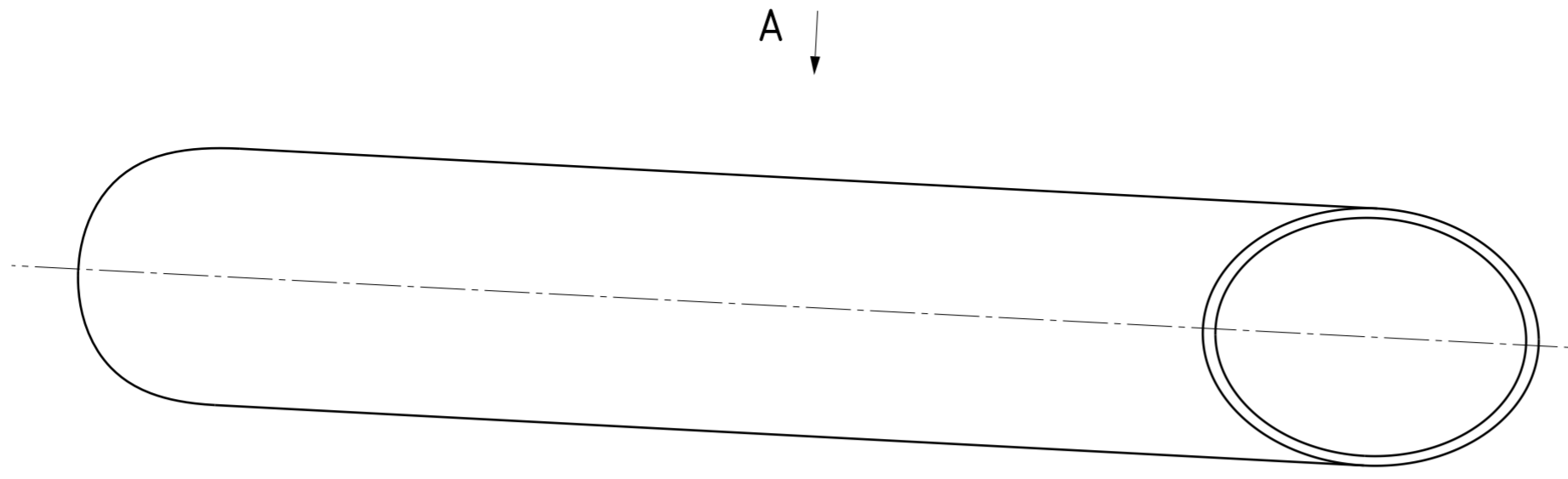


DESIGNED BY: Safeboard		<h1>Suporte Carrocera</h1>	
DATE: 02/11/2021			
SIZE: A3		CENTRO UNIVERSITARIO FEI	
SCALE: 1:1			
This drawing is our property; it can't be reproduced or communicated without our written agreement.			

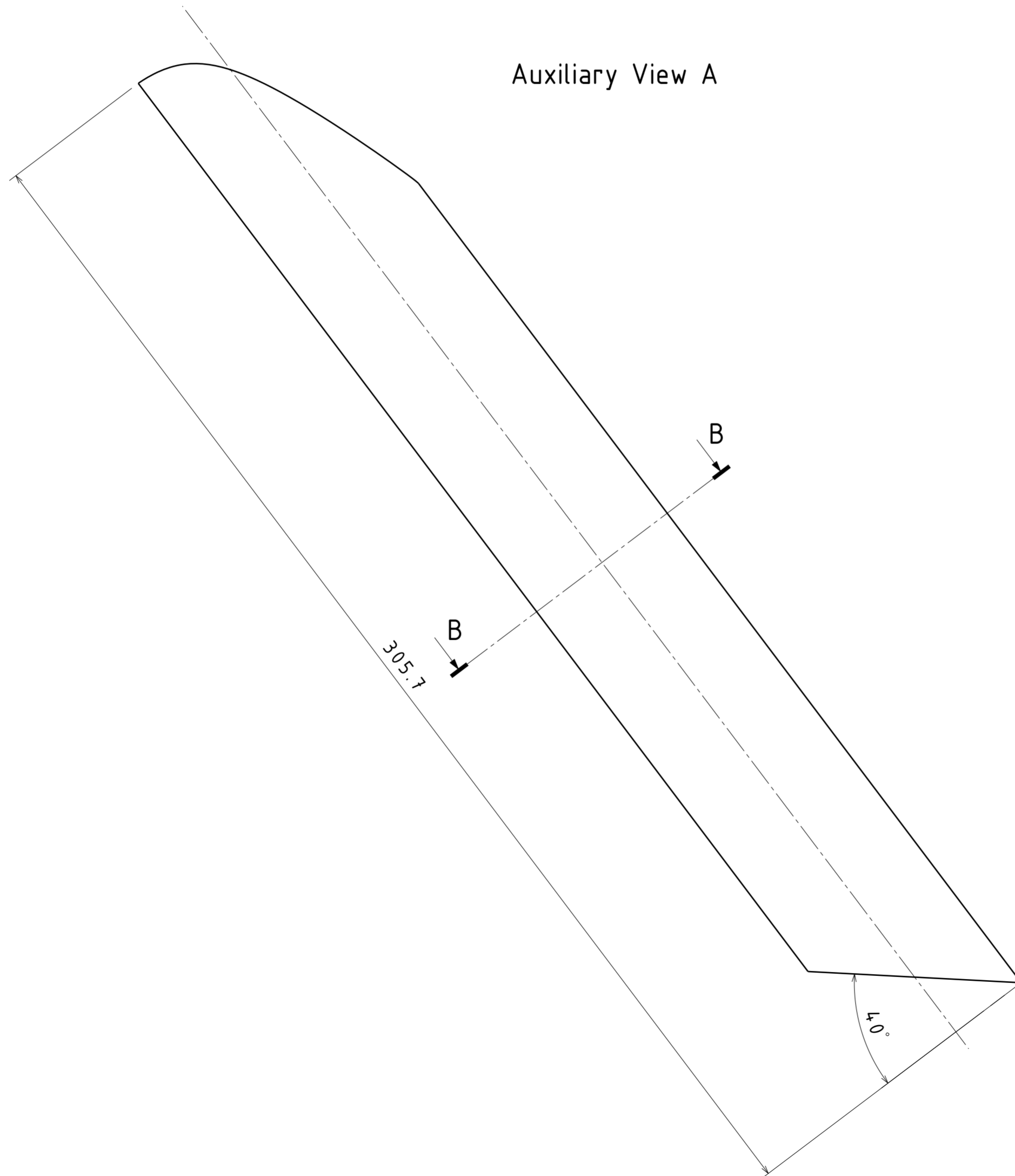


ISOMETRIC VIEW
1:10

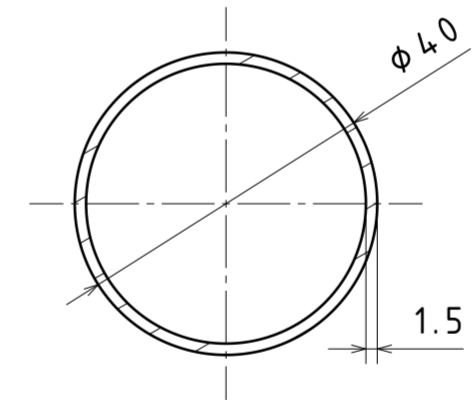
DESIGNED BY: Safeboard		Barra base	
DATE: 03/11/2021			
SIZE: A2		CENTRO UNIVERSITARIO FEI	
SCALE: 1:5			
WEIGHT (KG): 6.60	MATERIAL: AÇO	SHEET: 5 / 15	
<small>This drawing is our property. It can't be reproduced or communicated without our written agreement.</small>			



Auxiliary View A

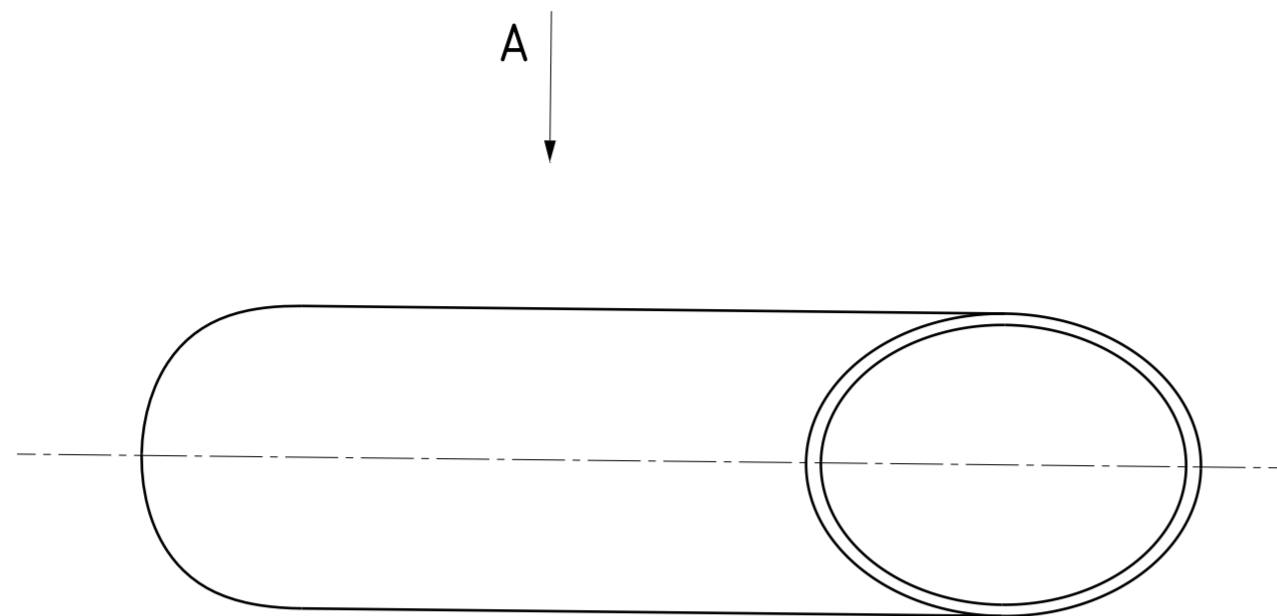


B-B

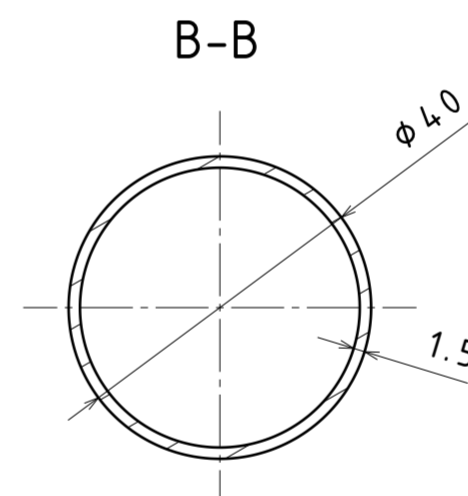
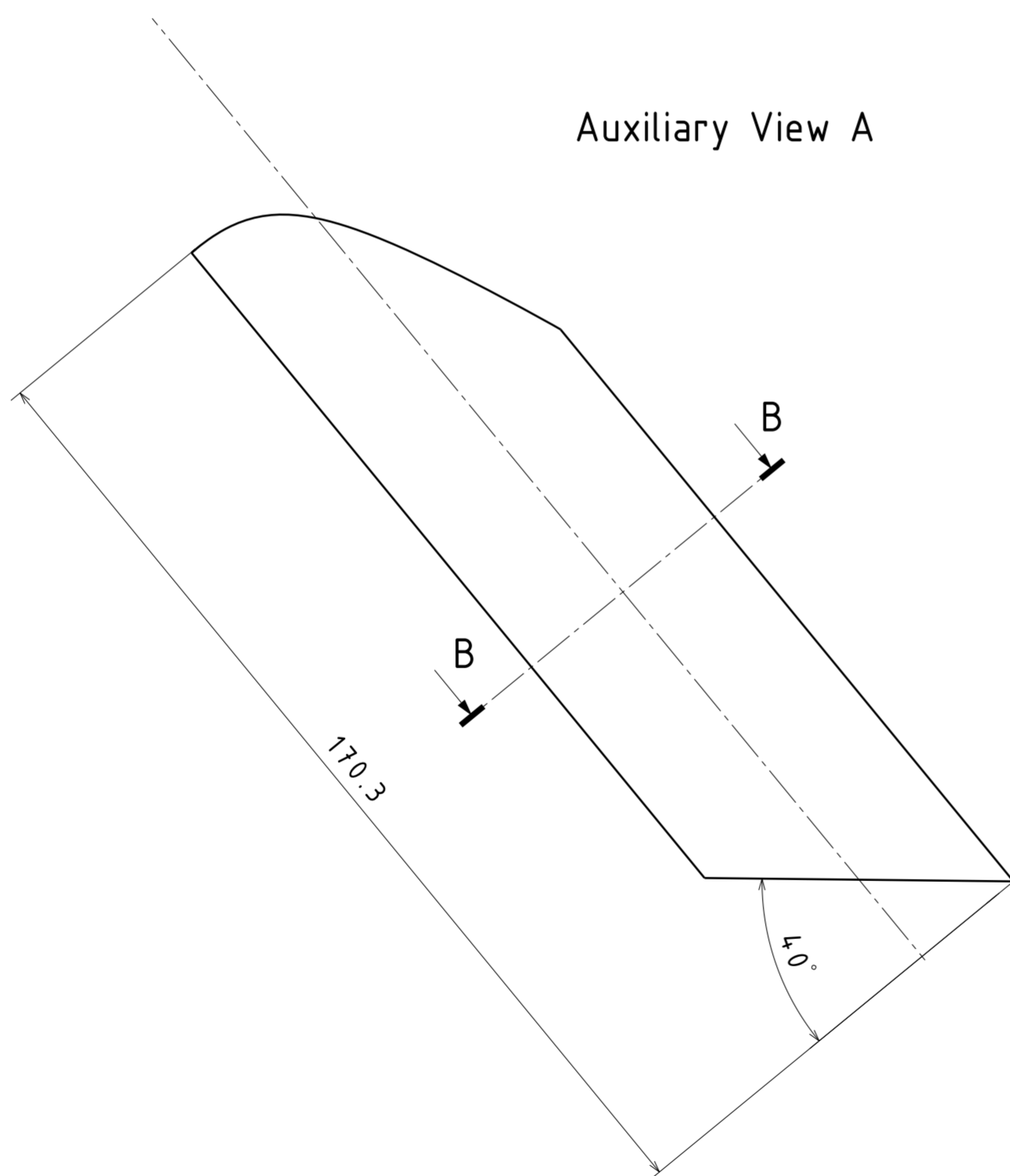


DESIGNED BY: Safeboard		Barra suporte 1	
DATE: 03/11/2021			
SIZE: A2		CENTRO UNIVERSITARIO FEI	
SCALE: 1:1	WEIGHT (KG): -	MATERIAL: -	SHEET: 6 / 15
<small>This drawing is our property. It can't be reproduced or communicated without our written agreement.</small>			

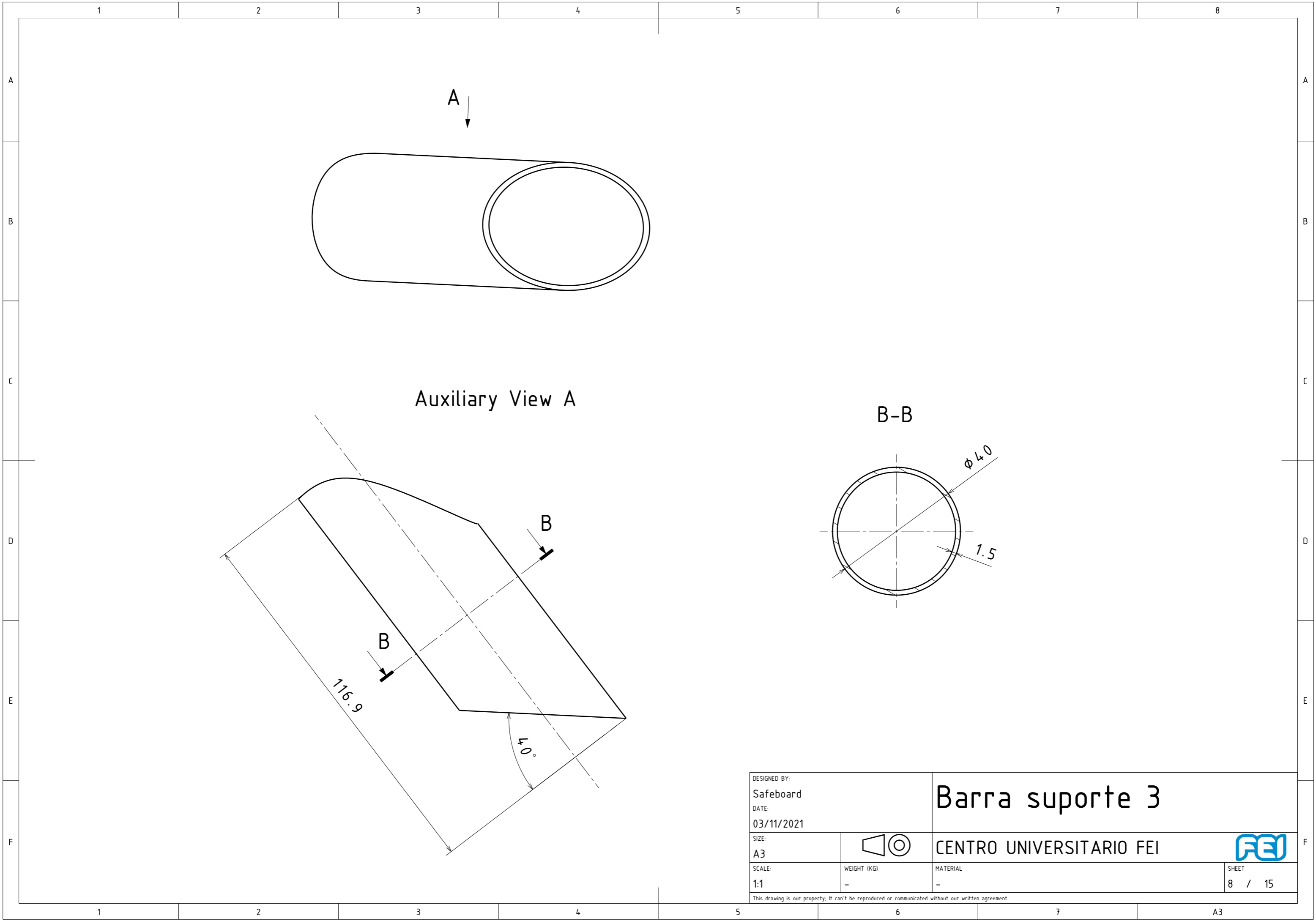




Auxiliary View A



DESIGNED BY: Safeboard		Barra suporte 2	
DATE: 03/11/2021			
SIZE: A2		CENTRO UNIVERSITARIO FEI	
SCALE: 1:1		WEIGHT (KG): -	MATERIAL: -
<small>This drawing is our property. It can't be reproduced or communicated without our written agreement.</small>			

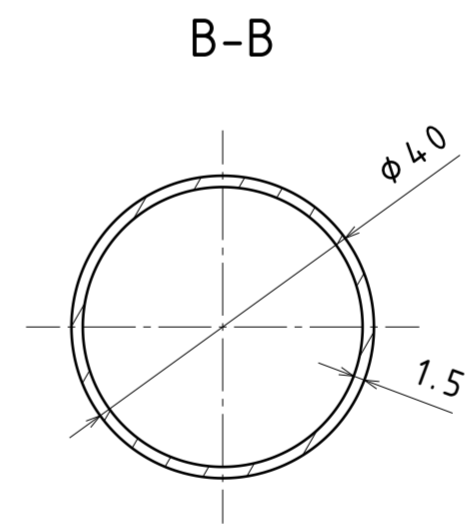
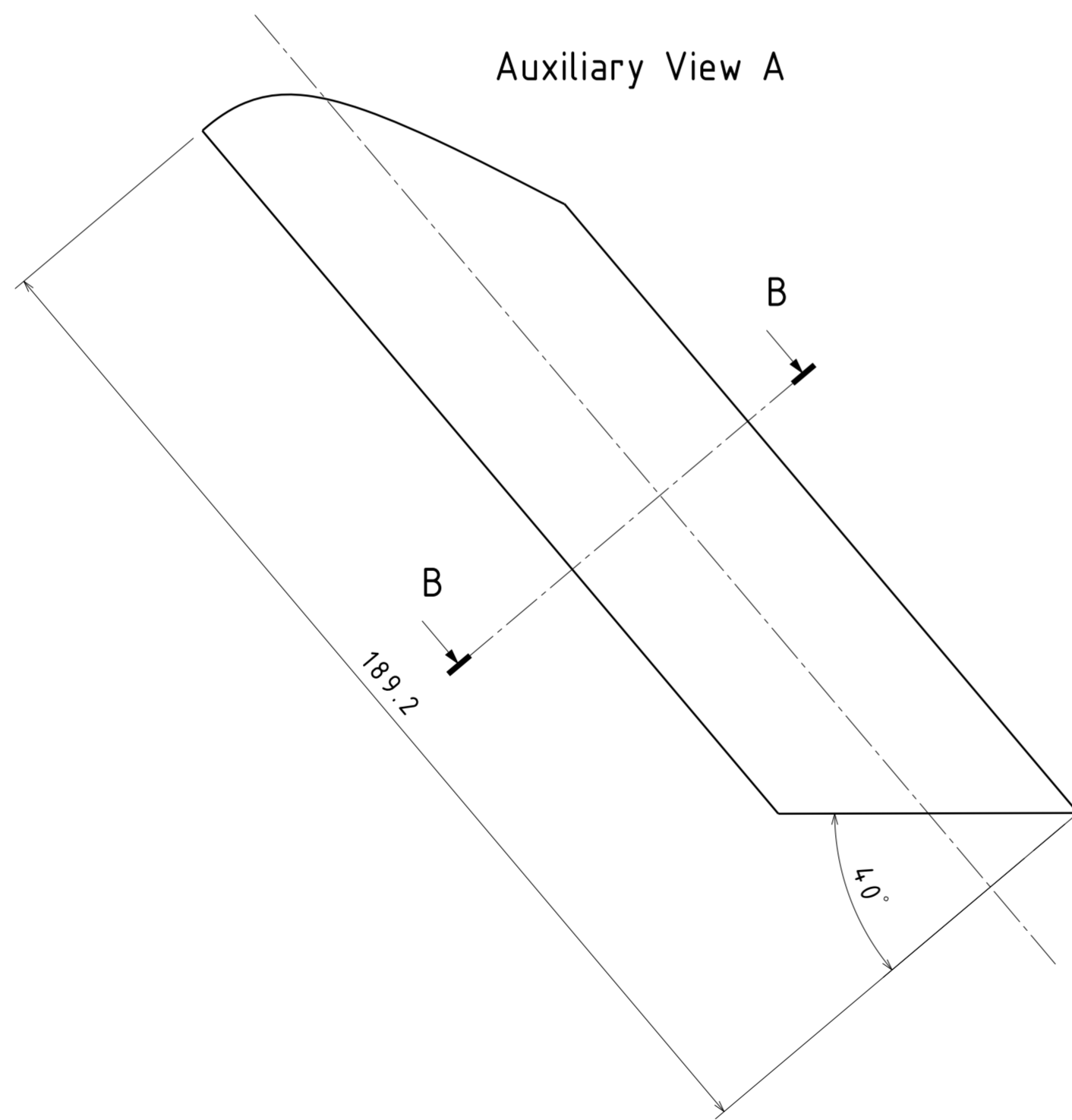
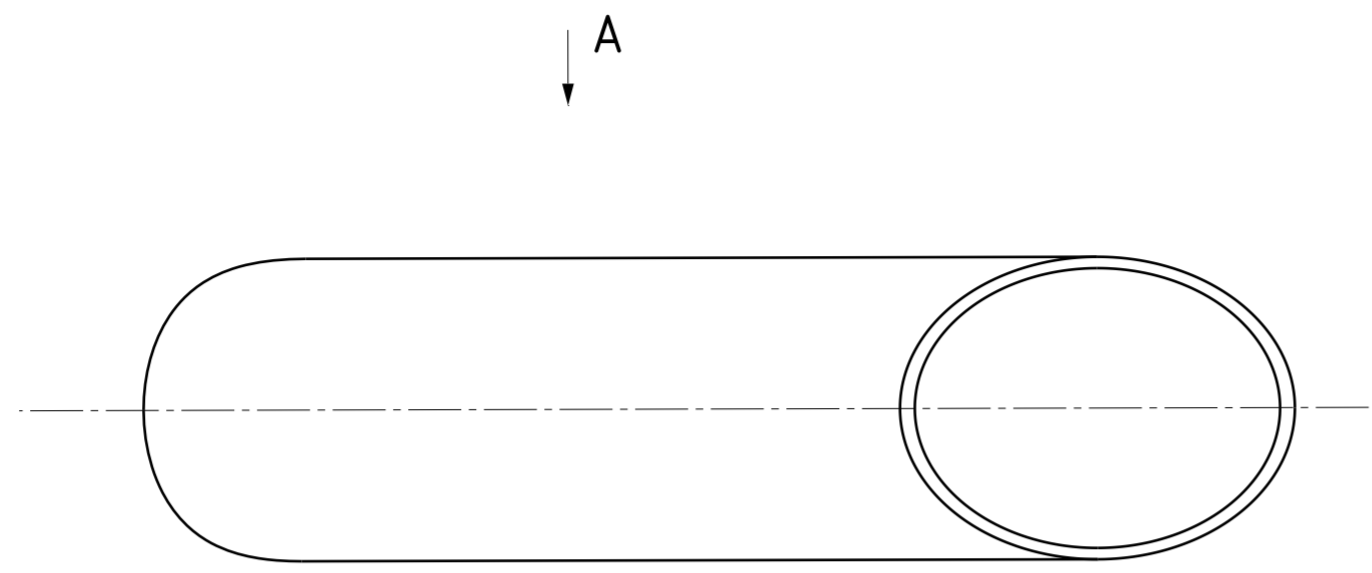


Auxiliary View A

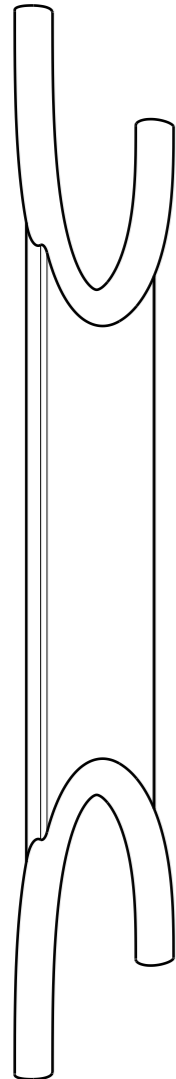
B-B

DESIGNED BY: Safeboard		Barra suporte 3	
DATE: 03/11/2021			
SIZE: A3		CENTRO UNIVERSITARIO FEI	
SCALE: 1:1		WEIGHT (KG): -	MATERIAL: -
This drawing is our property; it can't be reproduced or communicated without our written agreement.			

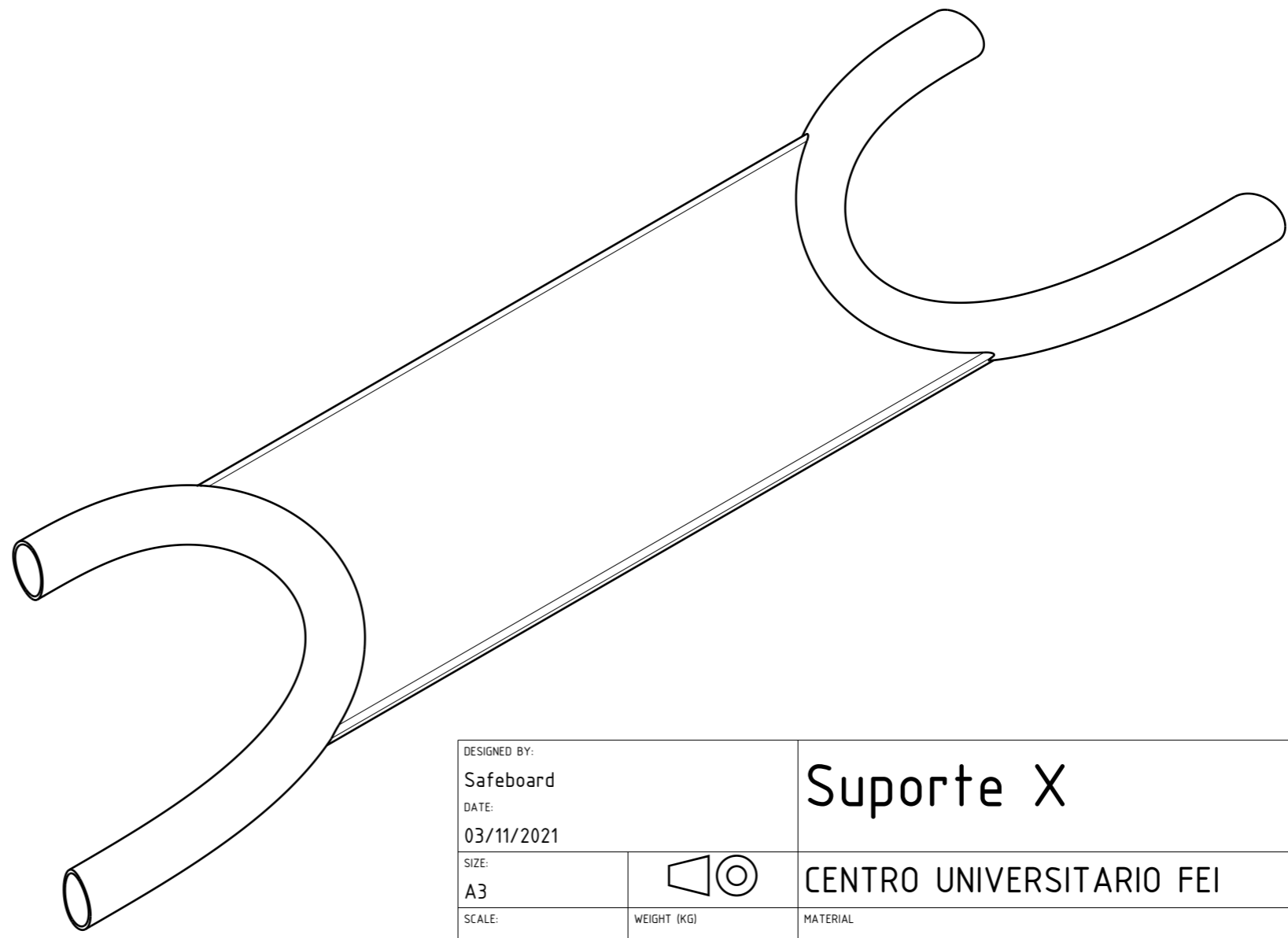
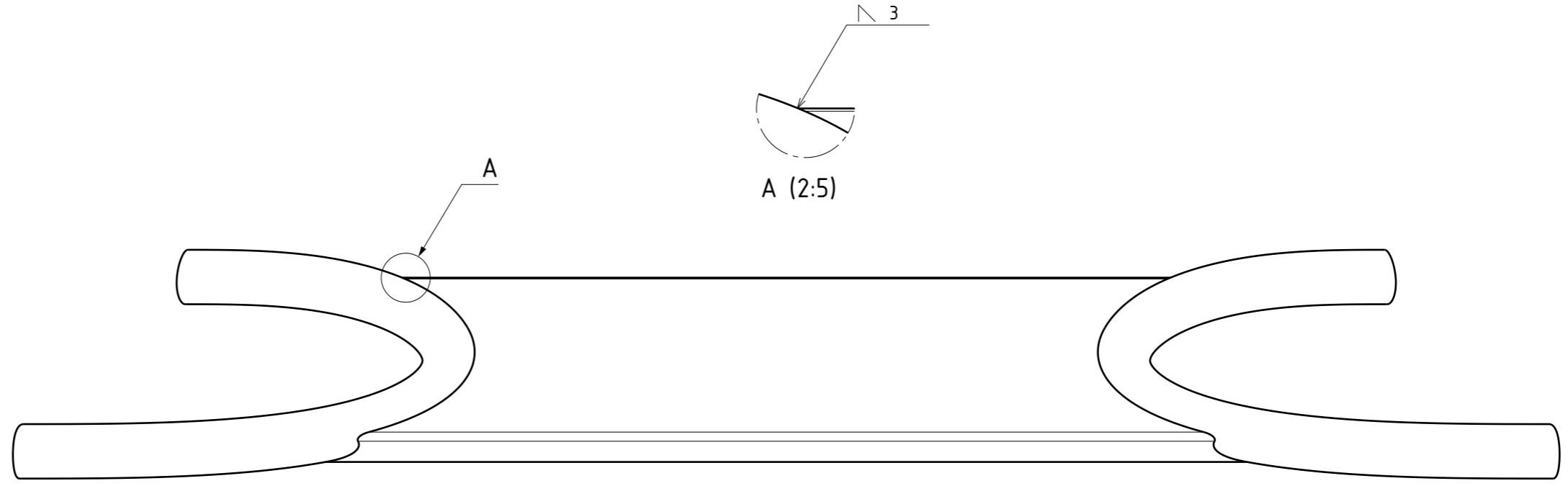




DESIGNED BY: Safeboard		<h1>Barra suporte 4</h1>	
DATE: 03/11/2021			
SIZE: A2		CENTRO UNIVERSITARIO FEI	
SCALE: 1:1		WEIGHT (KG): -	MATERIAL: -
<small>This drawing is our property. It can't be reproduced or communicated without our written agreement.</small>			

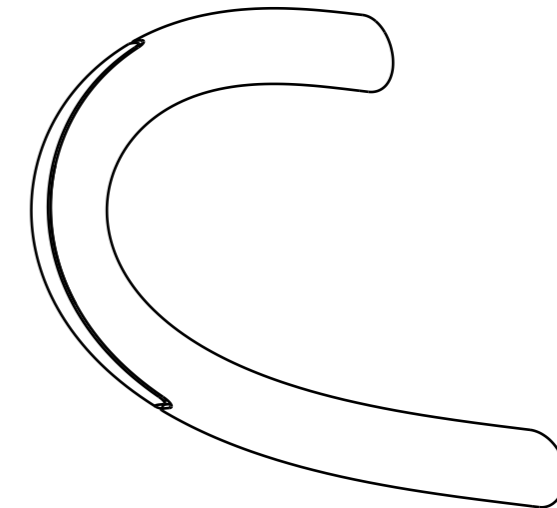
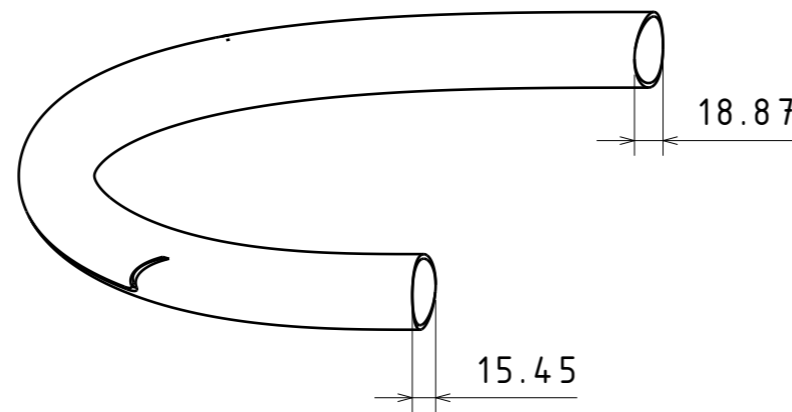
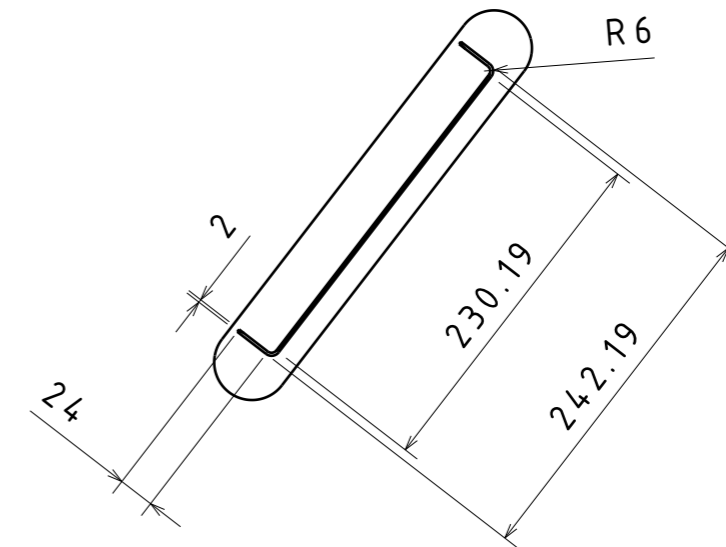
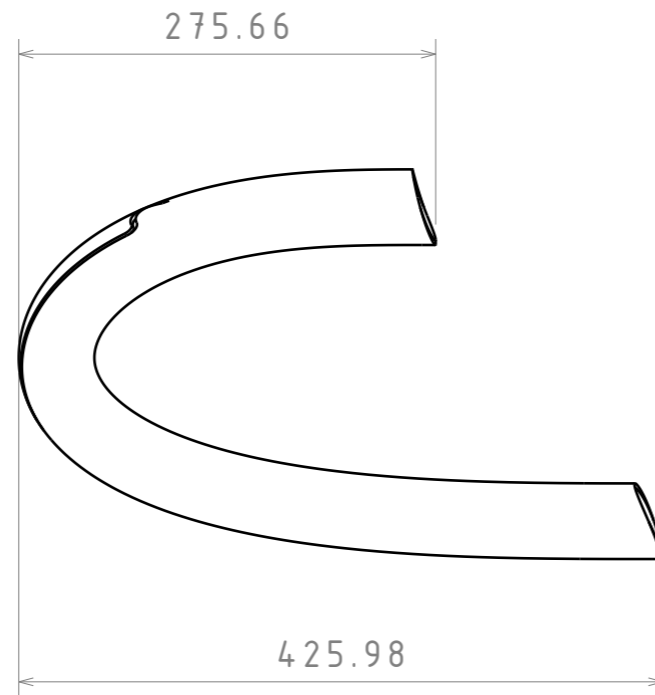
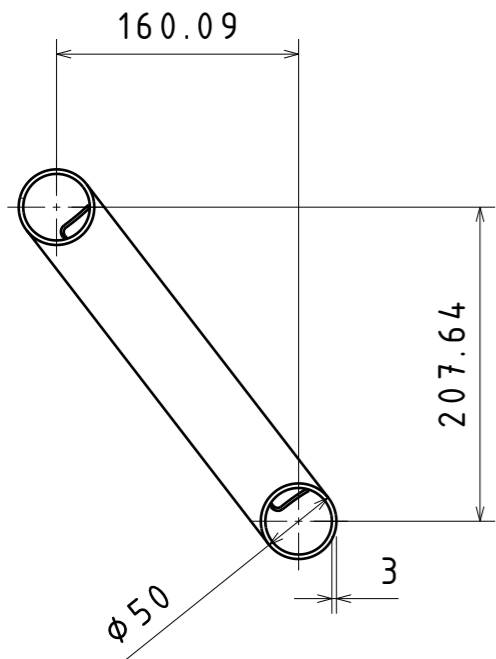


TOP VIEW
(1:10)

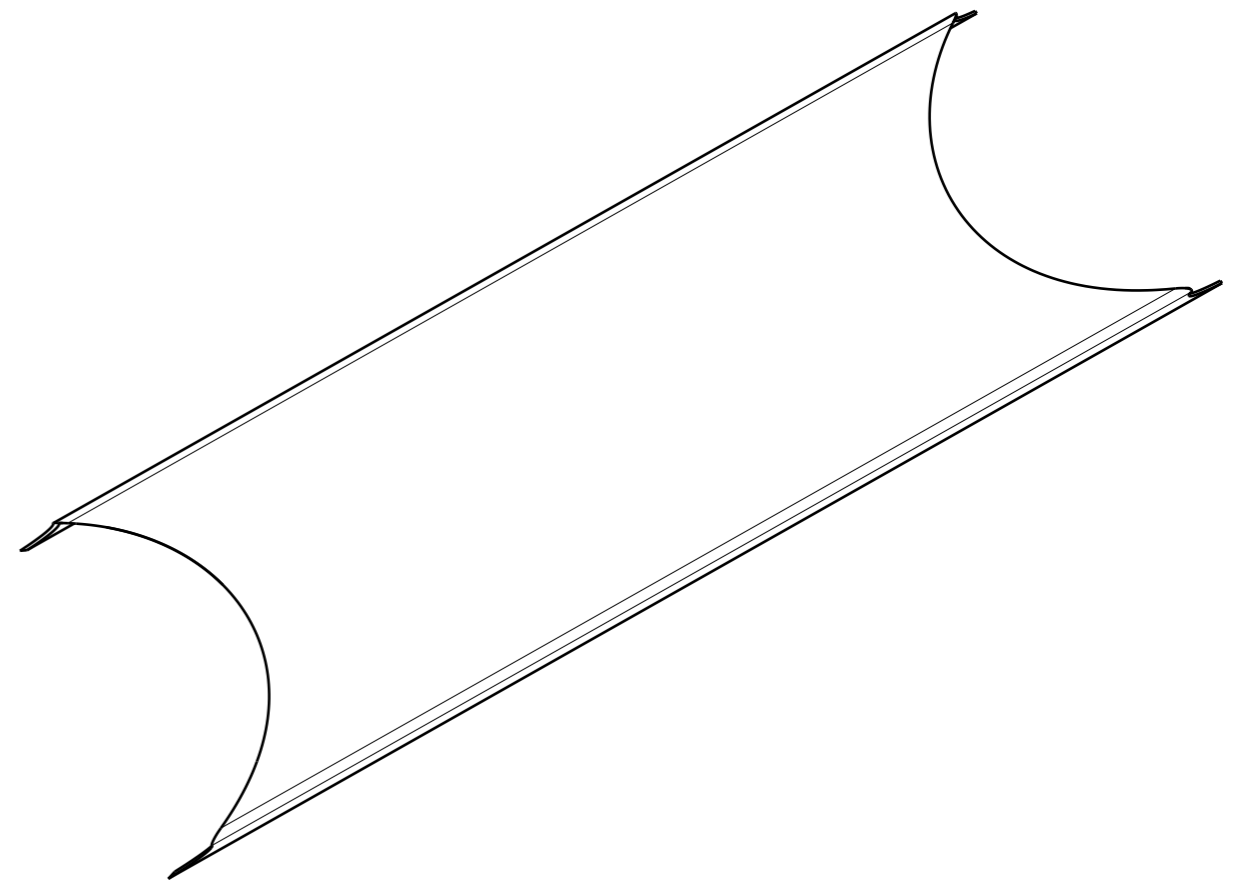
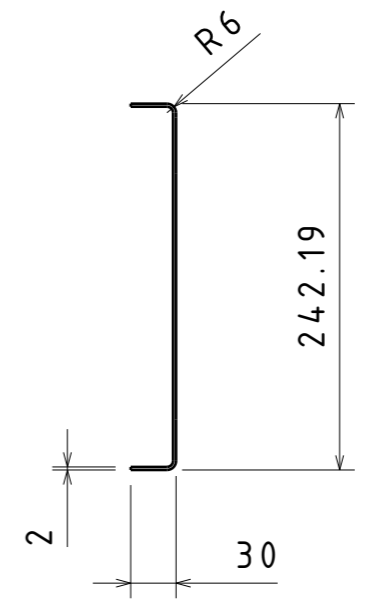
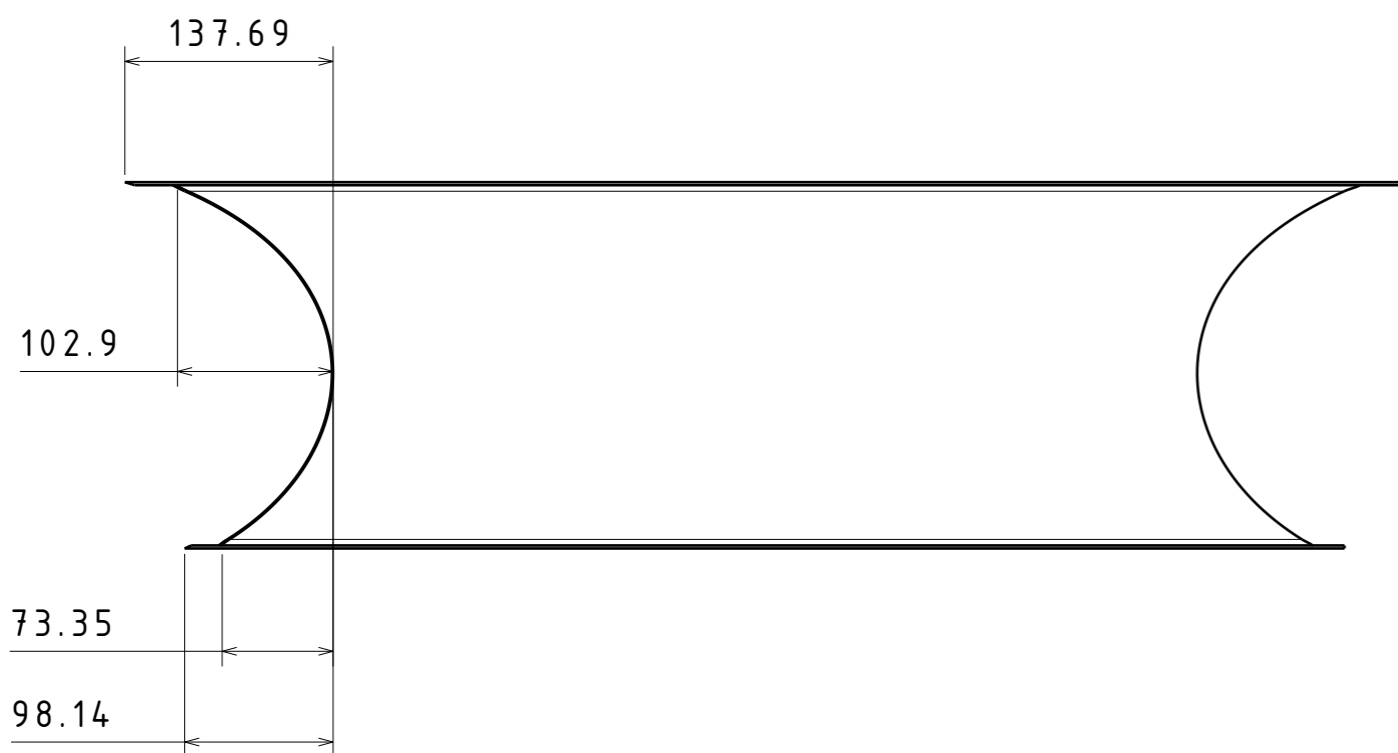
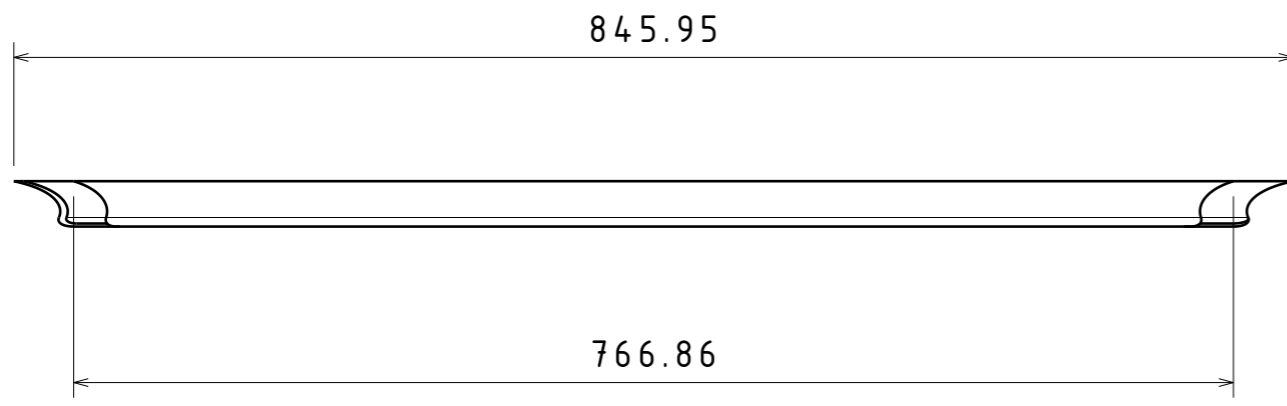
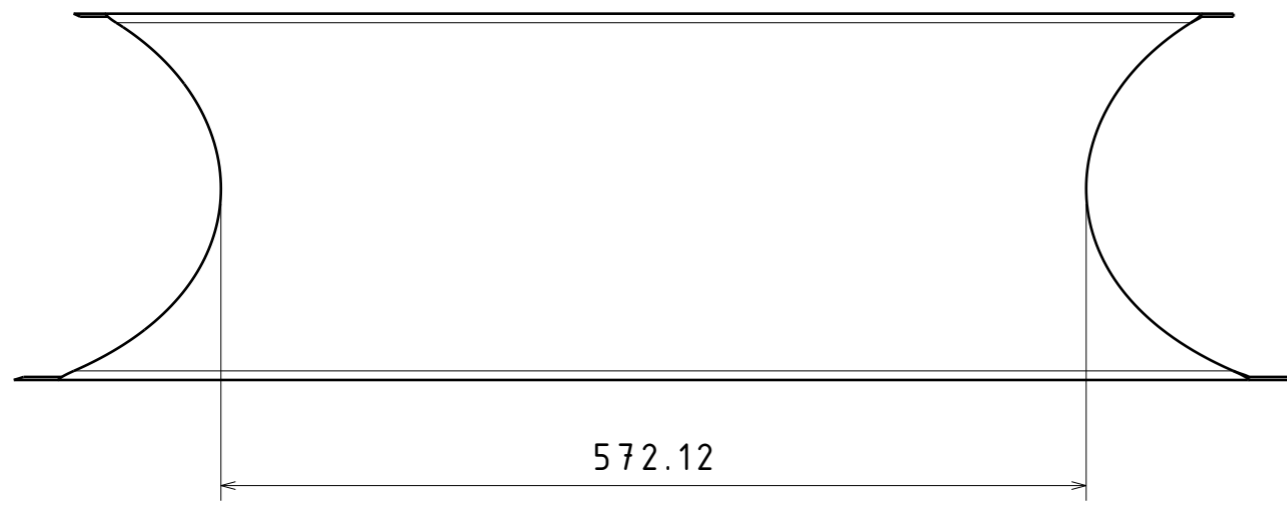


DESIGNED BY: Safeboard		<h1>Suporte X</h1>	
DATE: 03/11/2021			
SIZE: A3		CENTRO UNIVERSITARIO FEI	
SCALE: 1:5		WEIGHT (KG) 8.5	MATERIAL AÇO
<small>This drawing is our property; it can't be reproduced or communicated without our written agreement.</small>			

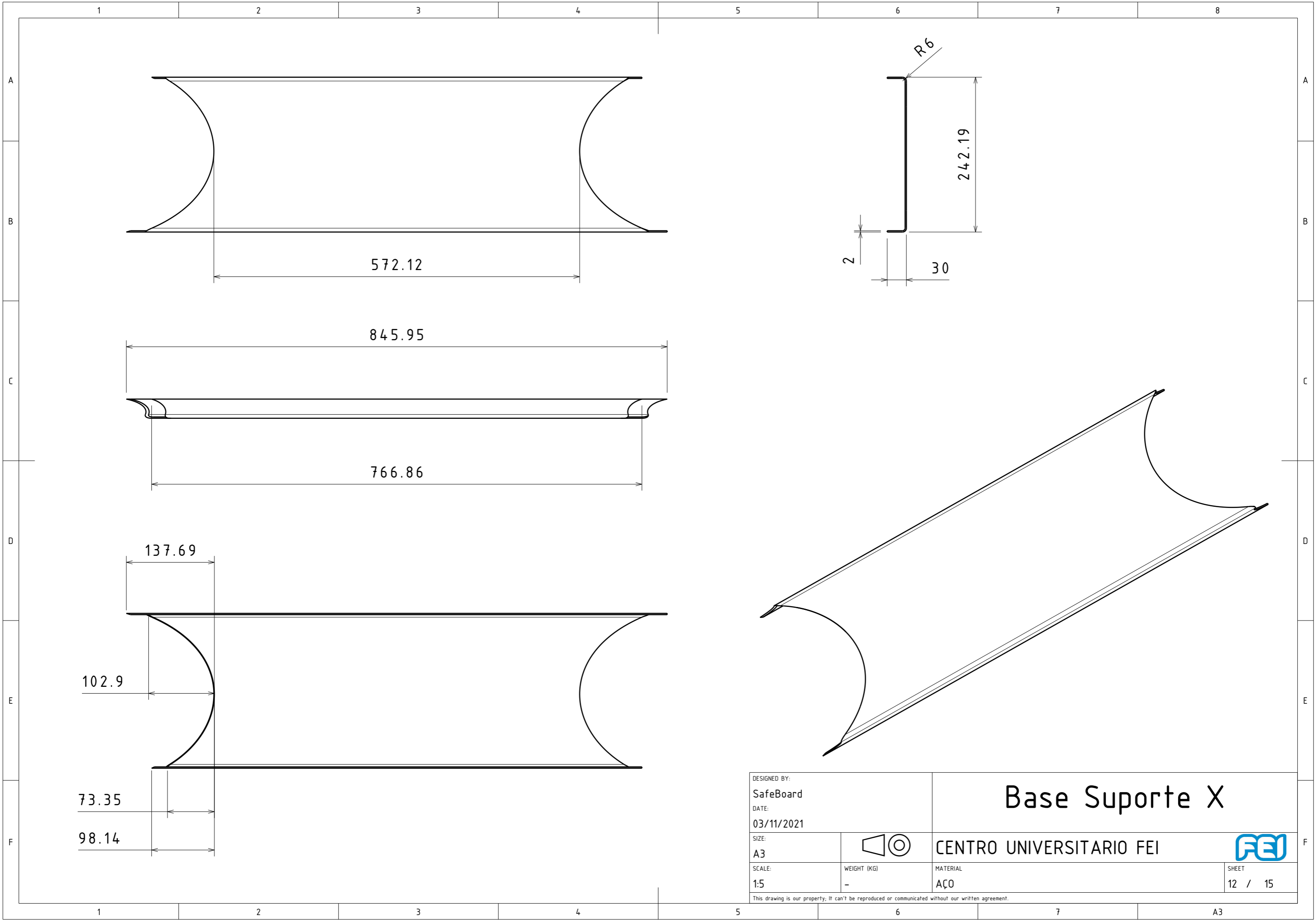


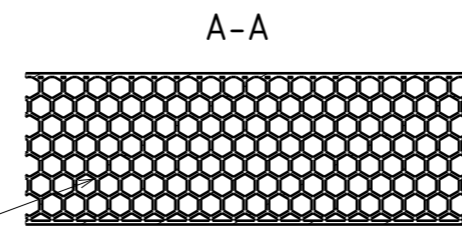
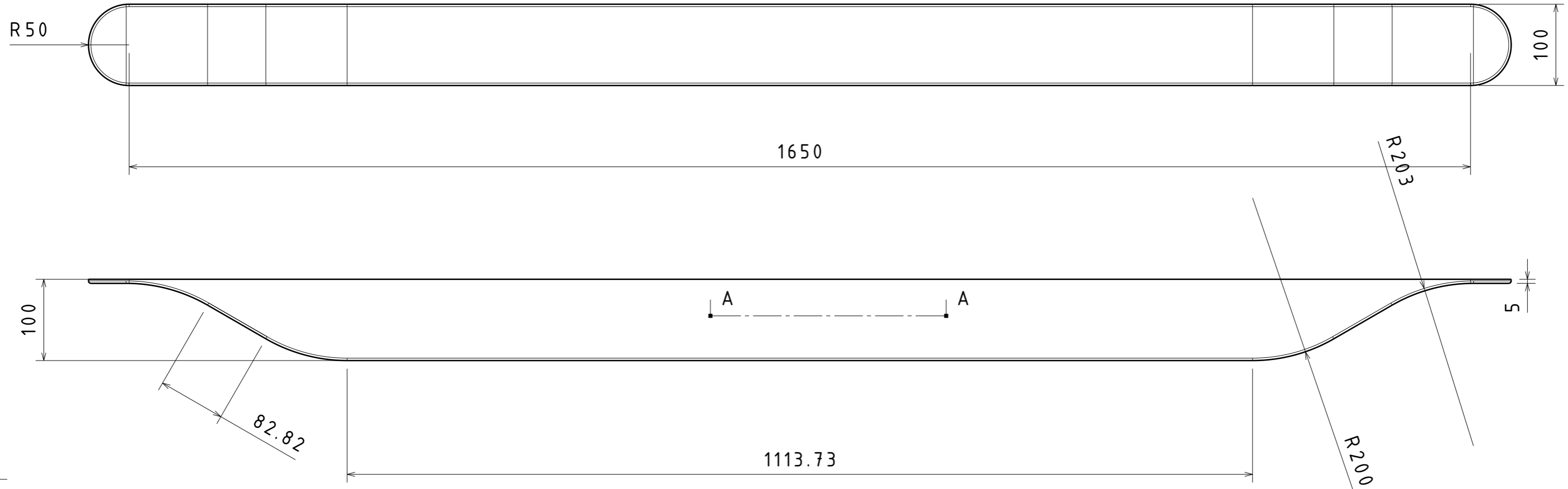


DESIGNED BY: Safeboard		<h1>Tubos Suporte X</h1>	
DATE: 03/11/2021			
SIZE: A3		CENTRO UNIVERSITARIO FEI	
SCALE: 1:5			
WEIGHT (KG): -	MATERIAL: AÇO	SHEET: 11 / 15	
<small>This drawing is our property; it can't be reproduced or communicated without our written agreement.</small>			



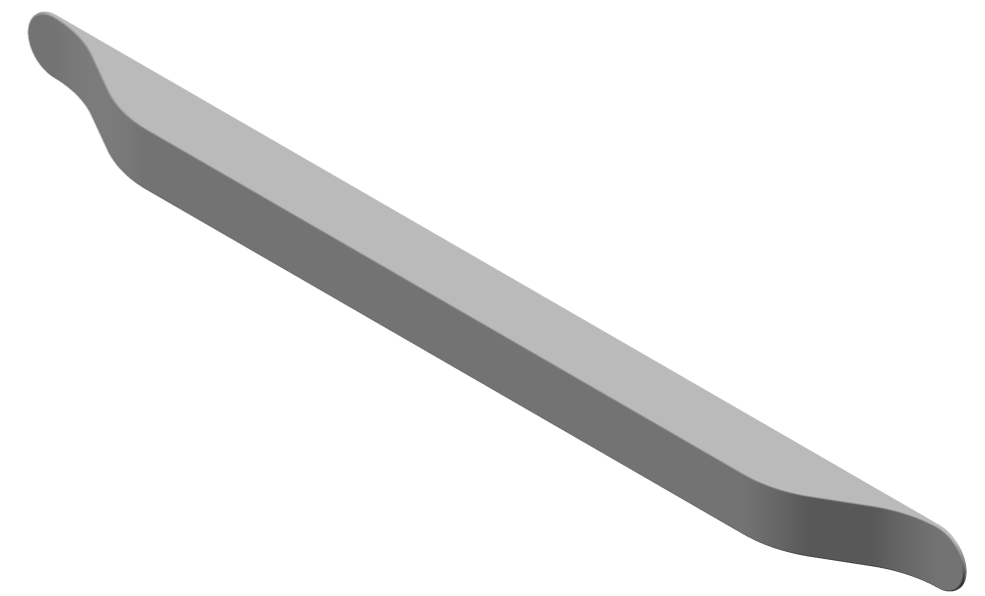
DESIGNED BY: SafeBoard		<h1>Base Suporte X</h1>	
DATE: 03/11/2021			
SIZE: A3		CENTRO UNIVERSITARIO FEI	
SCALE: 1:5			
WEIGHT (KG): -	MATERIAL: AÇO	SHEET 12 / 15	
This drawing is our property; it can't be reproduced or communicated without our written agreement.			





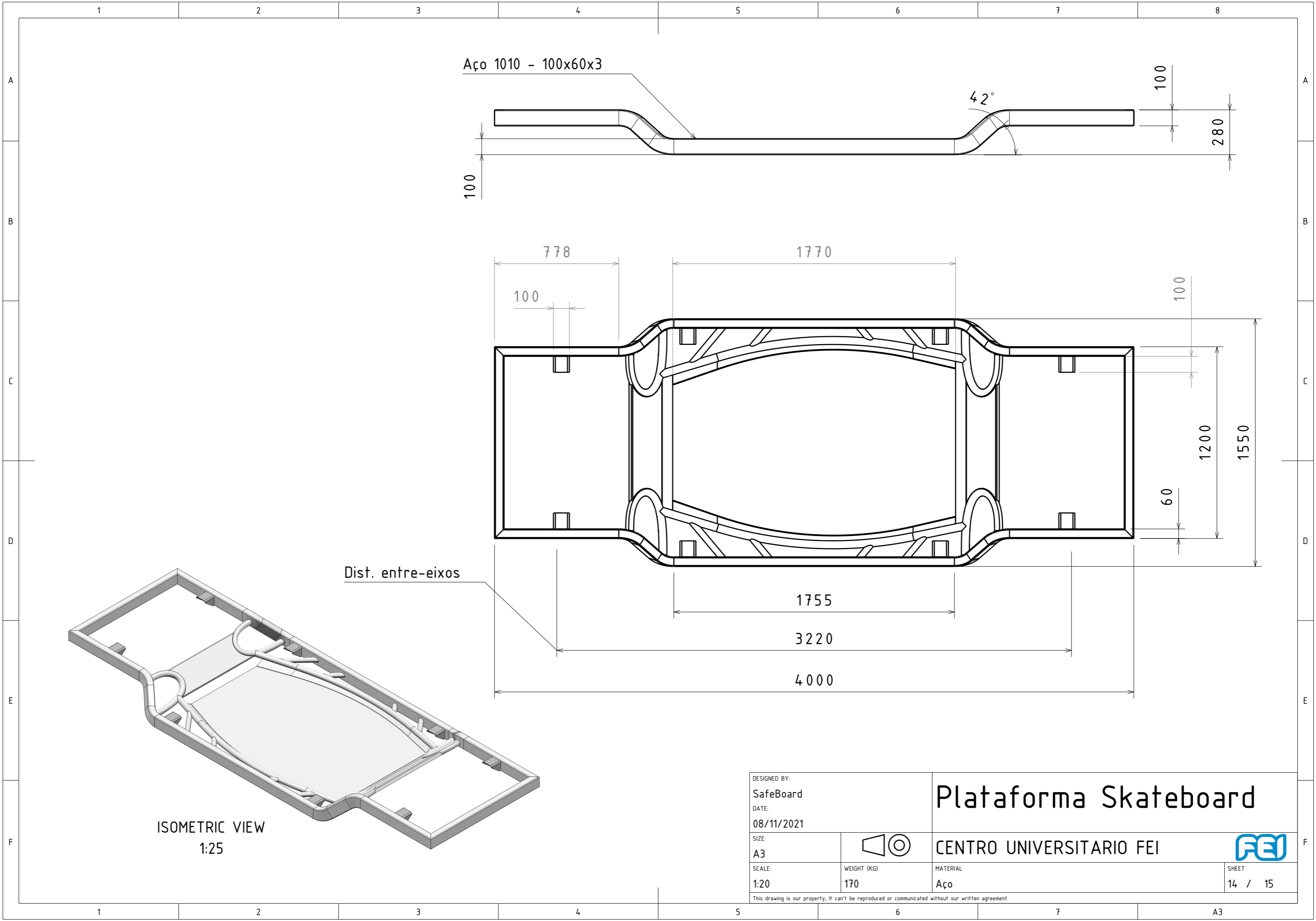
* Detalhamento das dimensões do honeycomb especificados no tópico 4.3

DIMENSÕES (mm)	
Tamanho da Célula	6.35
Espessura	0.0635
Altura	100

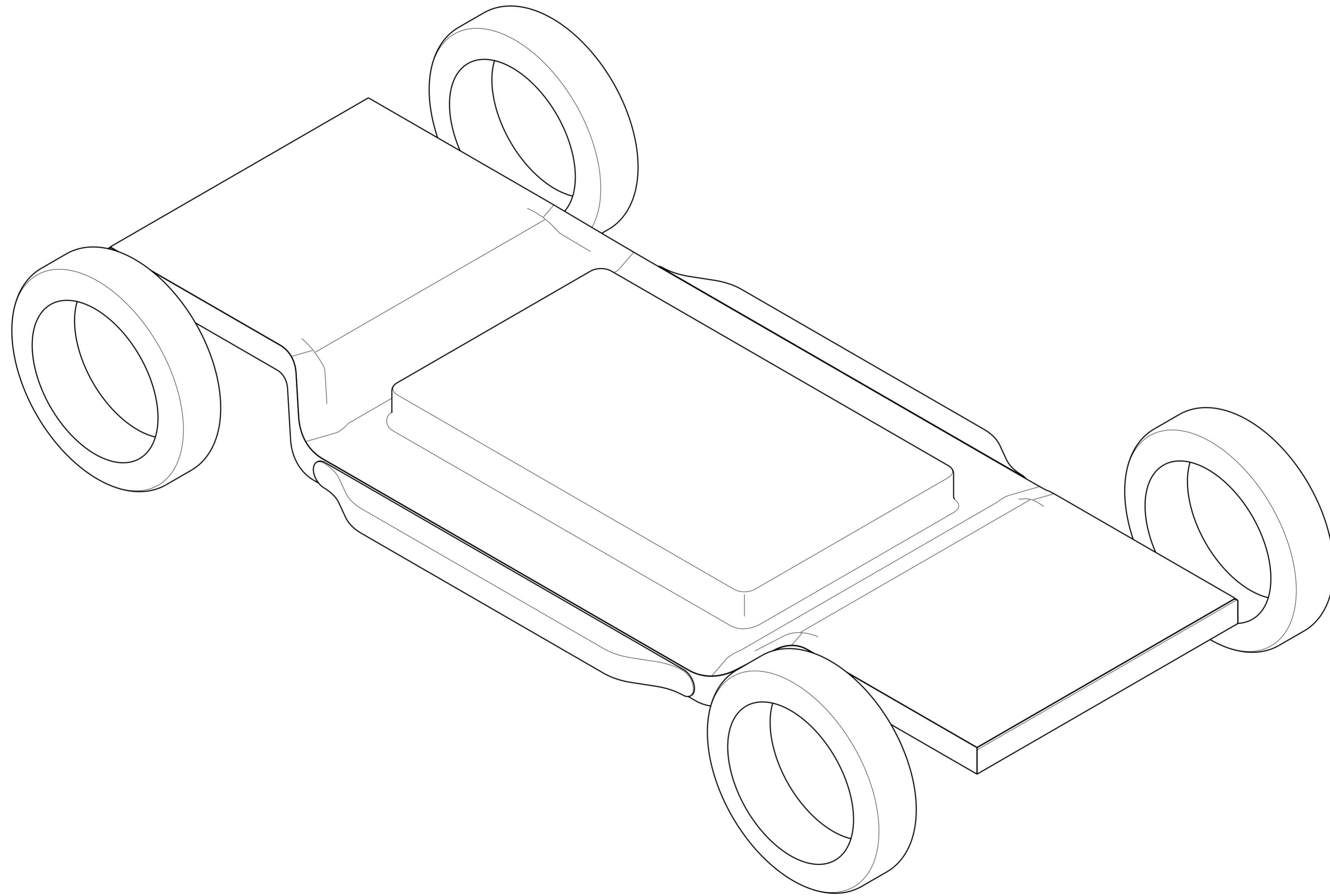


DESIGNED BY: Safeboard		<h1>Painel Lateral</h1>	
DATE: 15/11/2021			
SIZE: A3		CENTRO UNIVERSITARIO FEI	
SCALE: 1:5			
WEIGHT (KG): -	MATERIAL: Alumínio - AlSi10Mg	SHEET: 13 / 15	
<small>This drawing is our property; it can't be reproduced or communicated without our written agreement.</small>			





DESIGNED BY: SafeBoard		<h1>Plataforma Skateboard</h1>	
DATE: 08/11/2021			
SIZE: A3	 CENTRO UNIVERSITARIO FEI		
SCALE: 1:20			WEIGHT (KG) 170
<small>This drawing is our property; it can't be reproduced or communicated without our written agreement.</small>			SHEET 14 / 15



DESIGNED BY: Safeboard		<h1>Conceito Plataforma</h1>	
DATE: 25/11/2021			
SIZE: A2		CENTRO UNIVERSITARIO FEI	
SCALE: 1:10		WEIGHT (KG): -	MATERIAL: -
<small>This drawing is our property. It can't be reproduced or communicated without our written agreement.</small>			